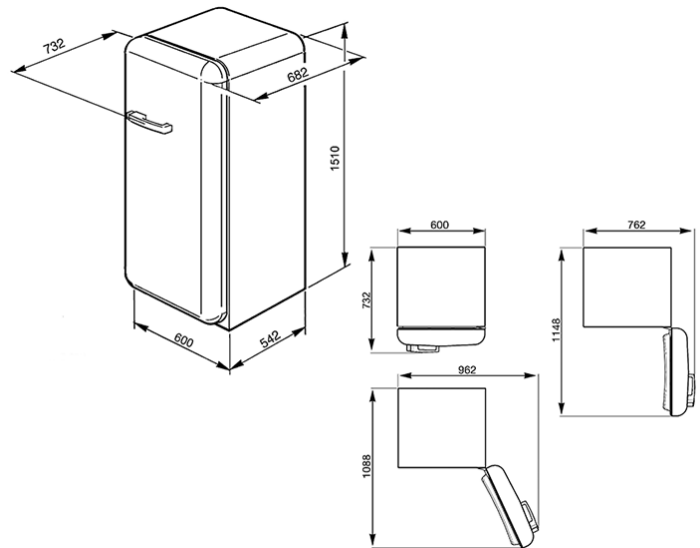


50's Retro Style Refrigerator-Freezer,
Cream, Right Hand Hinges
Energy Efficiency Class A++
EAN13: 8017709158088



• Gross capacity: 256 liters • Adjustable thermostat • Nominal power: 90W • Energy consumption: 215 kWh/y • Climate class: SN, T • Freezing capacity: 2kg/24h • Conserves food up to 12h without mains electricity • **Refrigerator:** • Fresh food capacity: 222 liters • Automatic defrost • 3 Adjustable glass shelves • 1 Glass fruit and vegetable container • 1 Chrome wine rack • 1 Fruit and vegetable draws • Hidden evaporator • Internal light • Door storage: • 1 Bottle shelf • 1 Egg tray • 3 Adjustable shelves with transparent lids • **Freezer ****:** • Frozen food capacity: 26 liters • 1 ice cube tray • 1 Motor • NB: space to be left for 90° door opening: 77cm (handle included) • When positioning these appliances adjacent to a wall or kitchen unit a gap of 175mm must be left on the hinged side of the product to allow the door to open.

Versions

• FAB28RAZ1 - Pastel blue, hinges on the right • FAB28RB1 - White, hinges on the right • FAB28RBL1 - Blue, hinges on the right • FAB28RCG1 - Chocolate, hinges on the right • FAB28RCS1 - Colour stripe, hinges on the right • FAB28RDB - Blue Denim, hinges on the right • FAB28RG1 - Yellow, hinges on the right • FAB28RDG - Gold, hinges on the right • FAB28RIT1 - Tricolore, hinges on the right • FAB28RNE1 - Black, hinges on the right • FAB28RO1 - Orange, hinges on the right • FAB28RR1 - Red, hinges on the left • FAB28RRO1 - Pink, hinges on the right • FAB28RUJ1 - Union Jack, hinges on the right • FAB28RV1 - Pastel green, hinges on the right • FAB28RVE1 - Lime green, hinges on the right