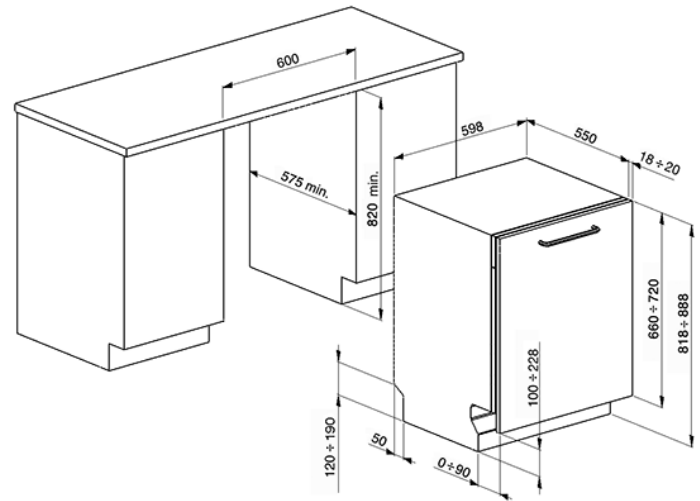


Fully Integrated Dishwasher 60 CM,
Energy Rating A+++
EAN13: 8017709226305



• Installation: Fully Integrated • **Programs / Functions** • No. of programmes: 5+5 quick programmes • Washing temperatures: 38°, 45°, 50°, 65°, 70° °C • Soak, Crystal, ECO, Quick 27 min, ECO Quick, Delicate and Quick, Normal Quick, Auto 45-65, Super, Super Quick • **Options** • Energy saving option EnerSave: A+++ • Delay timer option: Up to 24 hours • 1/2 load FlexiZone option (varied distribution) , Quick Time option, Sanitizing option Hyclean • **Baskets** • Basket colour: Grey • Basket components colour: Grey • Handle: In plastic on upper and lower basket • Wire Handle grip (lower basket) • Third upper basket for cutlery: Yes, FlexiDuo • Upper Basket: With central fixed racks • Height adjustment of the upper basket: On three levels • Largest loadable dish in upper basket: 23,5 cm • Lower Basket: With double foldable rack • Lower basket with anti-drip inserts • Largest loadable dish in lower basket: 30 cm • Cutlery basket: 13 place settings sliding • **Technical Features** • Controls: Electronic • Display type: LED display (3 digit) • Display: Delayed start, Programme time indicator, Time to end indication • Programme graphics: Symbols and label • On/off indicator • Salt light indicator: Light • Rinse aid indicator: Light • End of cycle indicator: ActiveLight • Washing system: Planetary • Motor: Single phase • Third spray arm: Single • Water softener: With electronic setting • Turbidity sensor Aquatest • Flood protection system: Total Acquastop • Water supply: Single; cold/hot water max. 60°C - energysave with hot water up to 35% • Drying system: Natural condenser drying, with EnerSave automatic door opening system at the end of the cycle • Child safety system (door lock) • Tub material: Stainless steel • Filter: Stainless Steel • Concealed heating element • Hinges: Self balancing with variable hinges • Adjustable feet: 7cm, from 820 to 890 mm • Insulation level: Hyper • Back cover • Depth of dishwasher with open door (mm): 1146 • Back feet adjustable from front • Top cover: In plastic • **Performance / Energy Label** • Number of place settings: 13 • Noise level: 44 dB(A) re 1pW • **Electrical Connection** • Connected power: 1800 W • Current: 13 Amp • Voltage: 220-240 V • Type of connection: Single-phase • Frequency (Hz): 50 Hz